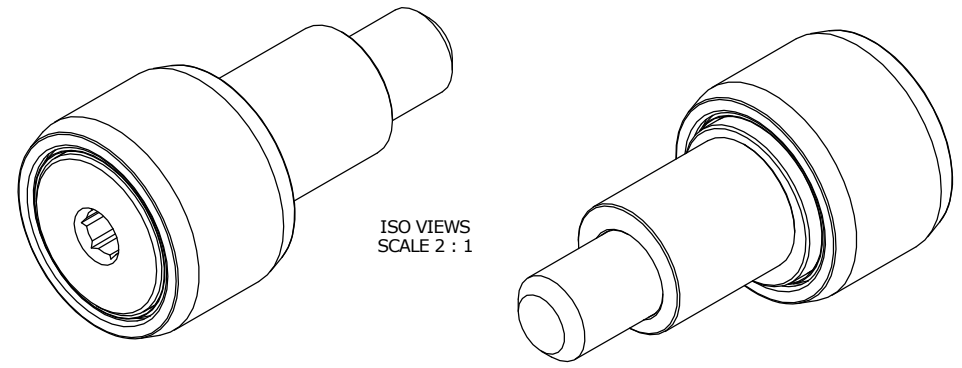


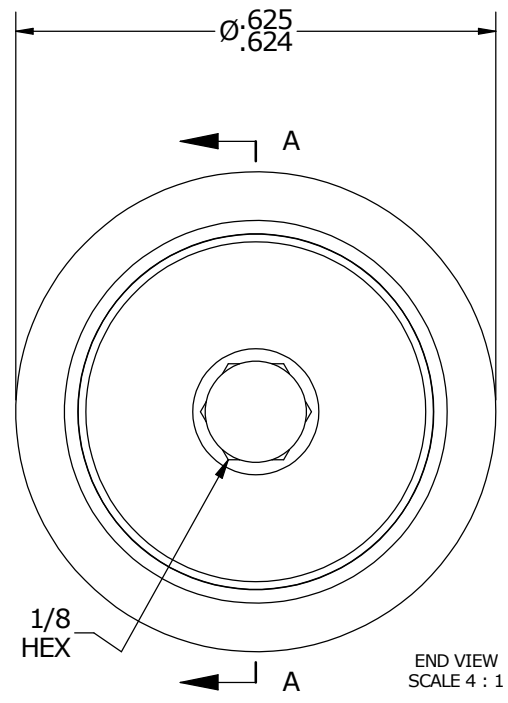
LOAD RATINGS	
RATING	Lbs
RADIAL BASIC DYNAMIC	796
MAXIMUM STATIC CAPACITY	972

NOTES:  
 1. BEARING COMES PACKED WITH CARTER STANDARD FOOD GRADE H1, NLGI 2 GREASE

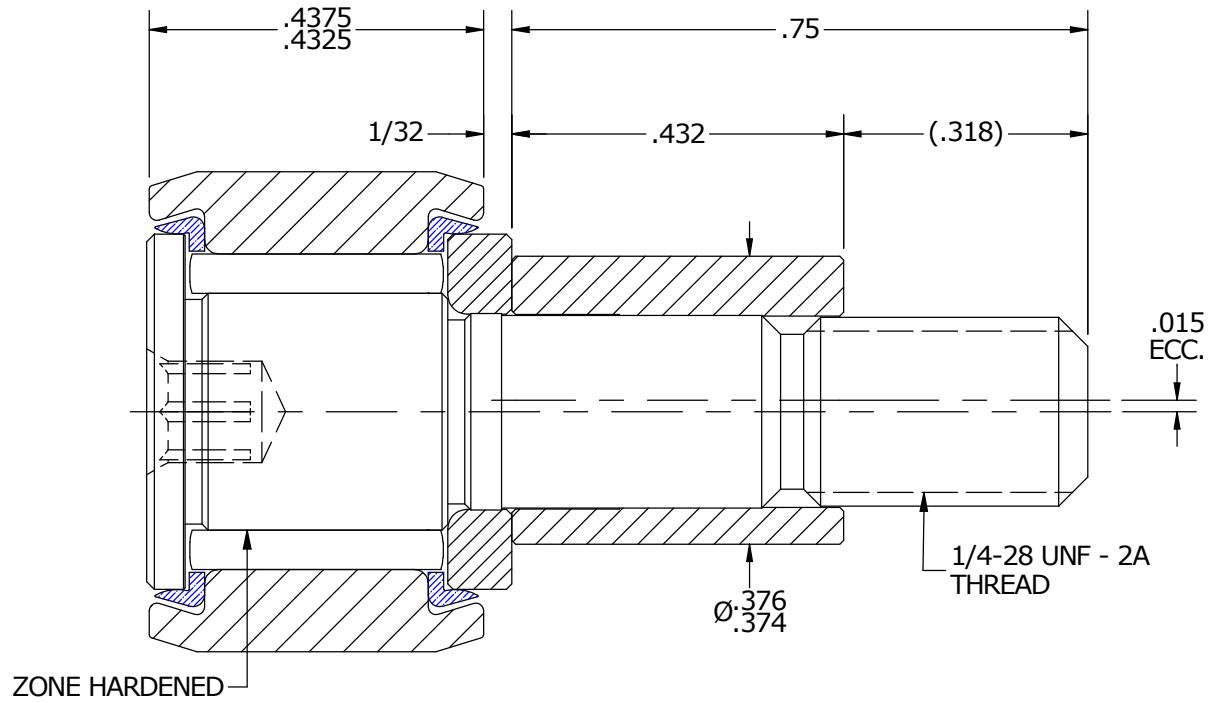
MS NO. \_\_\_\_\_ NSN NO. \_\_\_\_\_ DRAWING NO. SCE-20-SB



ISO VIEWS  
SCALE 2 : 1



END VIEW  
SCALE 4 : 1



SECTION A-A  
SCALE 4 : 1

MATERIAL NOTES:

OUTER RACE - 440C STAINLESS STEEL, HEAT TREATED  
 STUD - 440C STAINLESS STEEL, ZONE HARDENED  
 WASHER - 440C STAINLESS STEEL, HEAT TREATED  
 NEEDLE ROLLER - 440C STAINLESS STEEL, HEAT TREATED  
 ECCENTRIC SLEEVE - 300 SERIES STAINLESS STEEL  
 SEAL - SYNTHETIC

CUSTOMER PART# \_\_\_\_\_  
 XX = ± .01  
 XXX = ± .005  
 XXXX = ± .0005  
 ANGLES = ± 1'  
 INCH [METRIC]  
 FRACTION = ± 1/32

CARTER MANUFACTURING IS NOT RESPONSIBLE FOR TYPOGRAPHICAL ERRORS

**CARTER MANUFACTURING CO., INC.**  
 GRAND HAVEN, MICHIGAN 49417

ENGINEERING CHANGE ORDER NOTE

REVISION		PART NAME: ASSEMBLY			
B	AUTHOR BY	DRAWN BY	CHK'D BY	SALES	MATERIAL
	HG	EMD	MD	KR	NOTED
REVISION BY	DATE	DATE	DATE	DATE	SHEET
SGW	1/13/2015	7/26/2006	1/13/2015	1/13/2015	1 OF 2