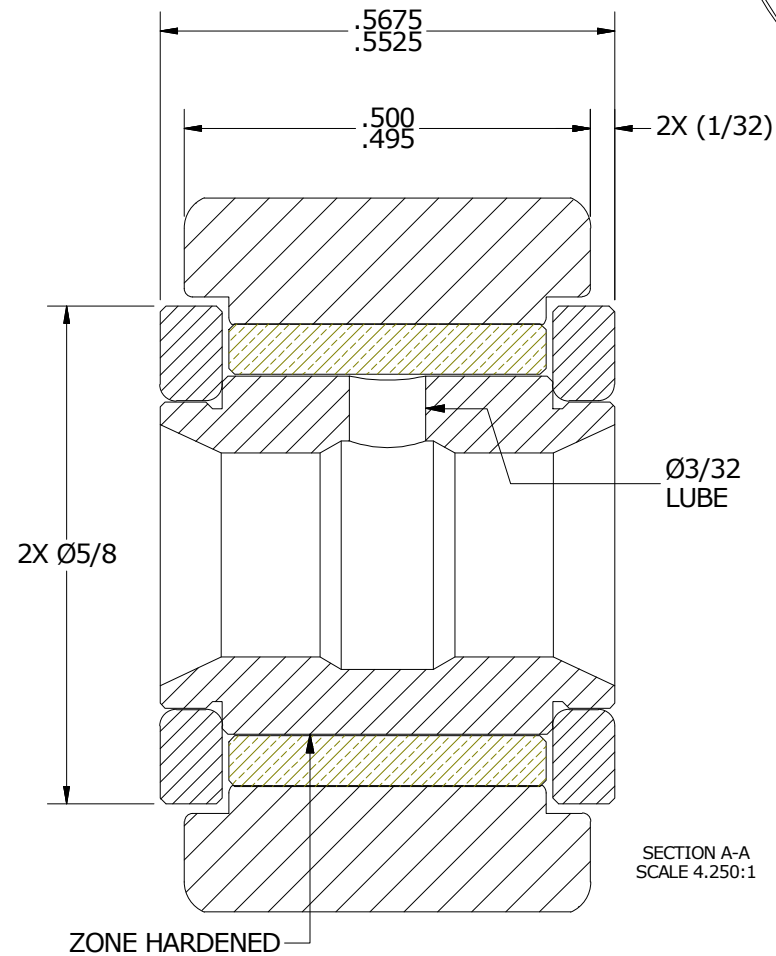
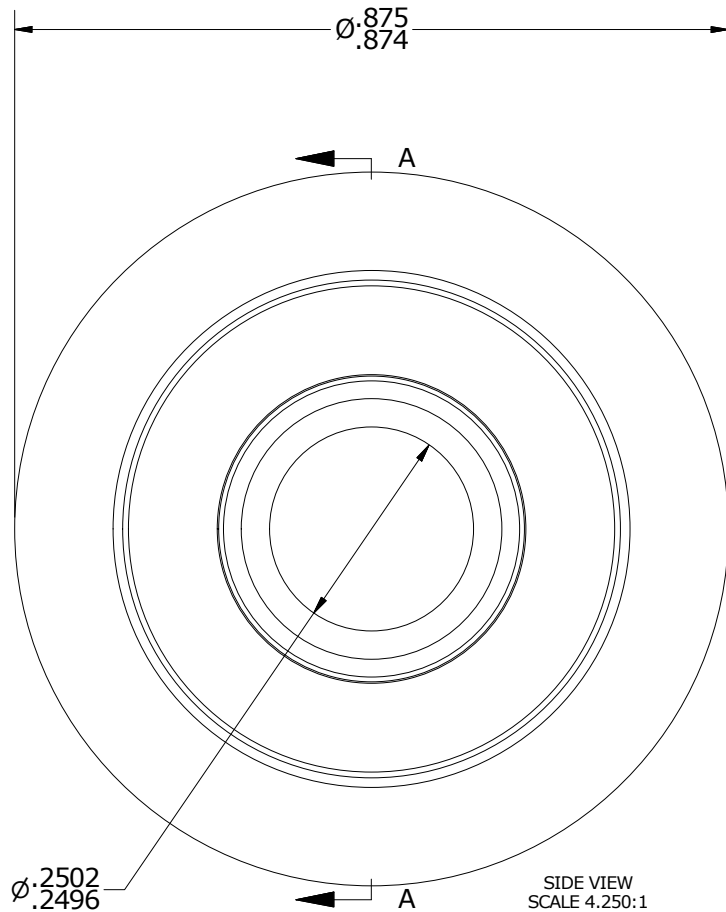
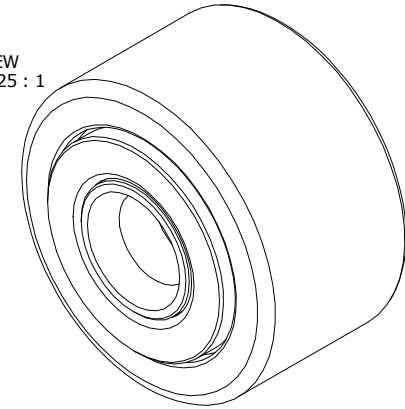


## NOTES:

- BUSHING IS IMPREGNATED WITH OIL
- ALL EXPOSED STEEL SURFACES HAVE BLACK OXIDE

ISO VIEW  
SCALE 2.125 : 1



## MATERIAL NOTES:

OUTER RING - BEARING STEEL, HEAT TREATED  
INNER RING - BEARING STEEL, ZONE HARDENED  
BUSHING - SINTERED BRONZE  
WASHER(S) - BEARING STEEL, HEAT TREATED

CUSTOMER PART#

XX =  $\pm .01$   
XXX =  $\pm .005$   
XXXX =  $\pm .0005$   
ANGLES =  $\pm 1'$   
INCH [METRIC]  
FRACTION =  $\pm 1/32$

CARTER MANUFACTURING IS  
NOT RESPONSIBLE FOR  
TYPOGRAPHICAL ERRORS

**CARTER MANUFACTURING CO., INC.**

GRAND HAVEN, MICHIGAN 49417

REVISION

PART NAME: ASSEMBLY

ENGINEERING CHANGE ORDER NOTE

A

AUTHOR BY

DRAWN BY

CHK'D BY

SALES

MATERIAL

HG

SGW

MD

KR

NOTED

REVISION BY

DATE

DATE

DATE

DATE

SHEET

SGW

5/4/2017

5/2/2017

5/2/2017

5/5/2017

1 OF 2