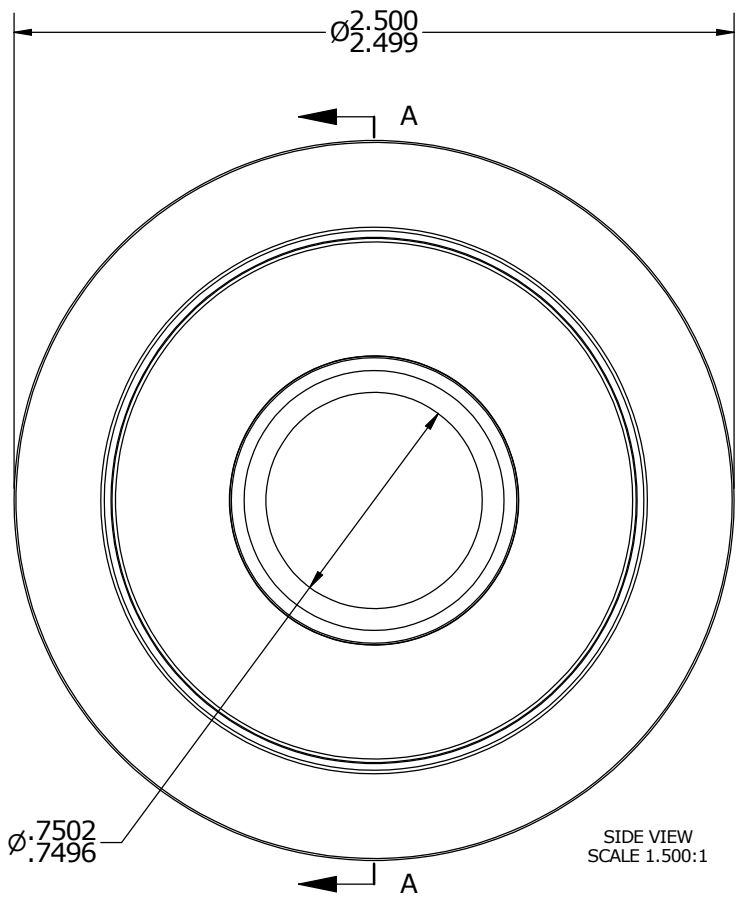
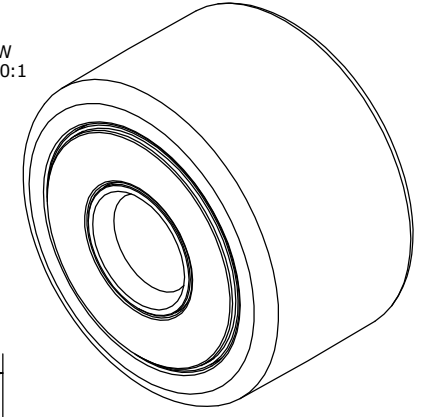


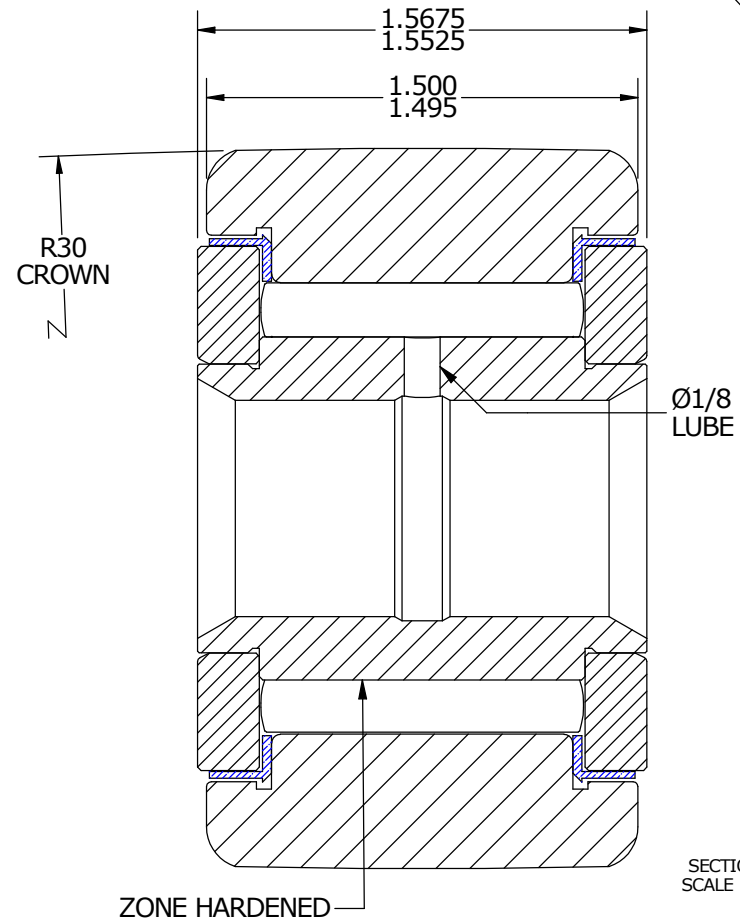
LOAD RATINGS	
RATING	Lbs
RADIAL BASIC DYNAMIC	9,376
MAXIMUM STATIC CAPACITY	26,320

NOTES:
 1. BEARING COMES PACKED WITH CARTER STANDARD FOOD GRADE H1, NLGI 2 GREASE

ISO VIEW
SCALE .750:1



SIDE VIEW
SCALE 1.500:1



SECTION A-A
SCALE 1.500:1

MATERIAL NOTES:

OUTER RACE - 440C STAINLESS STEEL, HEAT TREATED
 INNER RACE - 440C STAINLESS STEEL, ZONE HARDENED
 WASHER - 440C STAINLESS STEEL, HEAT TREATED
 NEEDLE ROLLER - 440C STAINLESS STEEL, HEAT TREATED
 SEAL - SYNTHETIC

CUSTOMER PART# _____
 XX = ± .01
 XXX = ± .005
 XXXX = ± .0005
 ANGLES = ± 1'
 INCH [METRIC]
 FRACTION = ± 1/32

CARTER MANUFACTURING IS NOT RESPONSIBLE FOR TYPOGRAPHICAL ERRORS

CARTER MANUFACTURING CO., INC.
 GRAND HAVEN, MICHIGAN 49417

ENGINEERING CHANGE ORDER NOTE

REVISION		PART NAME: ASSEMBLY			
A	AUTHOR BY	DRAWN BY	CHK'D BY	SALES	MATERIAL
	HG	SGW	MD	KR	NOTED
REVISION BY	DATE	DATE	DATE	DATE	SHEET
SGW	9/18/2014	9/18/2014	9/18/2014	9/18/2014	1 OF 2