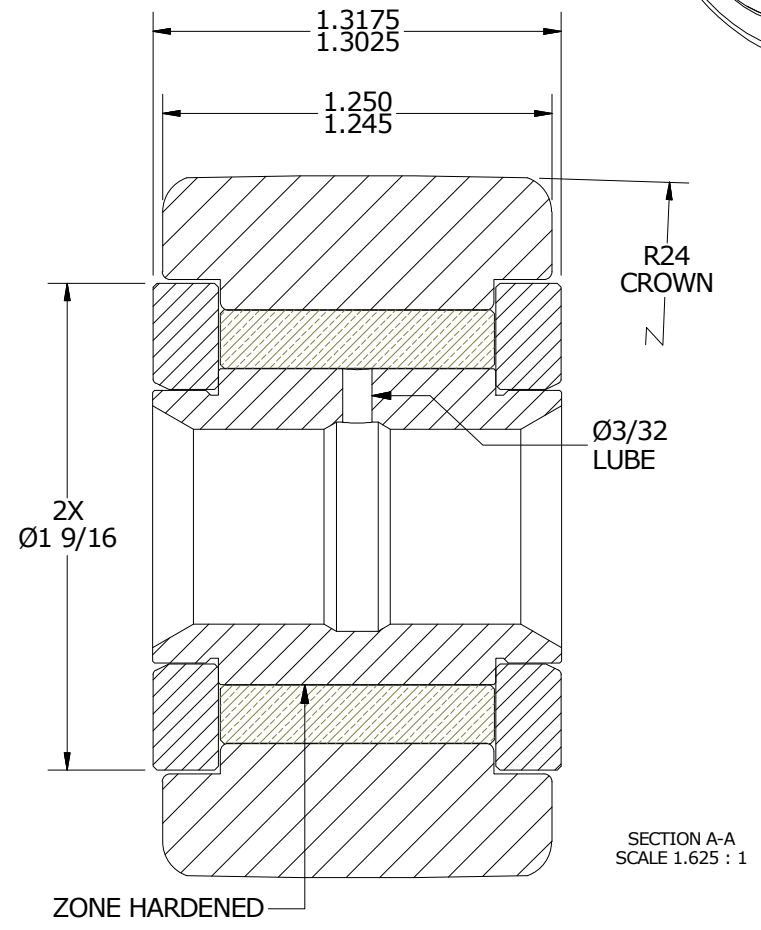
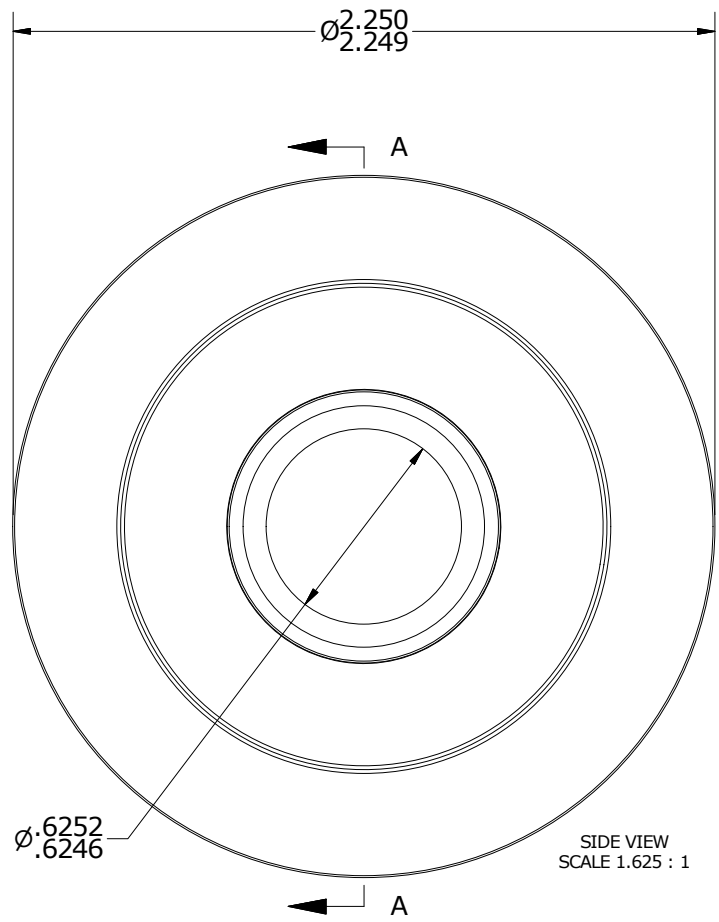
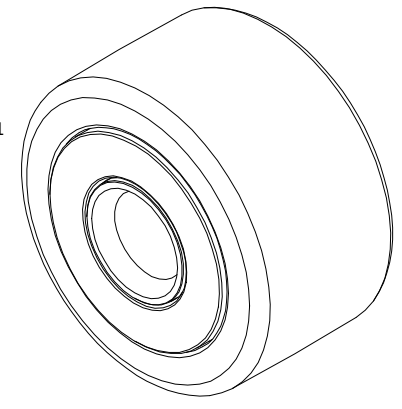


NOTES:
 1. BUSHING IS IMPREGNATED WITH OIL
 2. ALL EXPOSED STEEL SURFACES HAVE BLACK OXIDE

ISO VIEW
 SCALE .813:1



MATERIAL NOTES:
 OUTER RING - BEARING STEEL, HEAT TREATED
 INNER RING - BEARING STEEL, ZONE HARDENED
 BUSHING - SINTERED BRONZE
 WASHER(S) - COLD ROLLED STEEL, HEAT TREATED*

*(DEPENDING ON MATERIAL AVAILABILITY, MAY BE CONSTRUCTED FROM BEARING STEEL)

CUSTOMER PART#
 XX = ± .01
 XXX = ± .005
 XXXX = ± .0005
 ANGLES = ± 1'
 INCH [METRIC]
 FRACTION = ± 1/32

CARTER MANUFACTURING IS NOT RESPONSIBLE FOR TYPOGRAPHICAL ERRORS

CARTER MANUFACTURING CO., INC.
 GRAND HAVEN, MICHIGAN 49417

ENGINEERING CHANGE ORDER NOTE

| REVISION | | PART NAME: ASSEMBLY | | | |
|--------------------|-------------------|---------------------|-------------------|-------------------|-------------------|
| A | AUTHOR BY HG | DRAWN BY SGW | CHK'D BY MD | SALES KR | MATERIAL NOTED |
| REVISION BY SGW | DATE 11/4/2016 | DATE 11/1/2016 | DATE 11/3/2016 | DATE 11/7/2016 | SHEET 1 OF 2 |