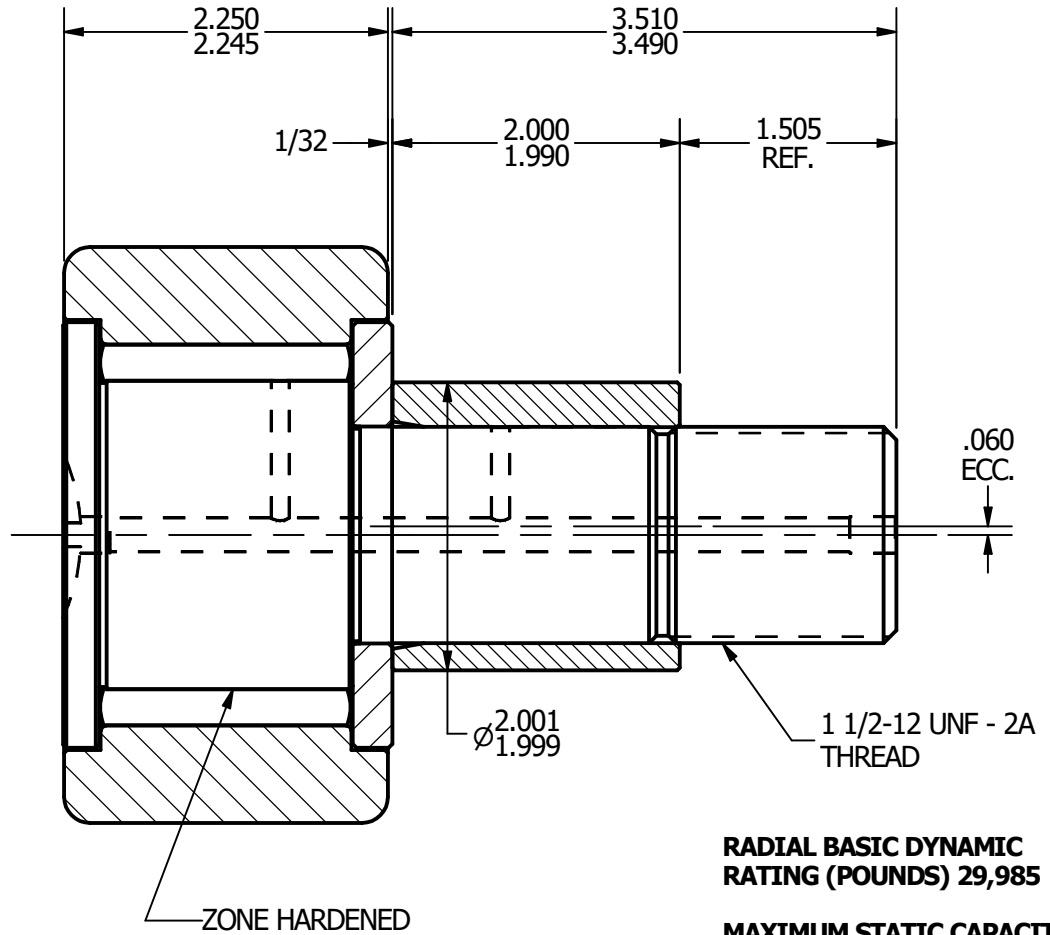
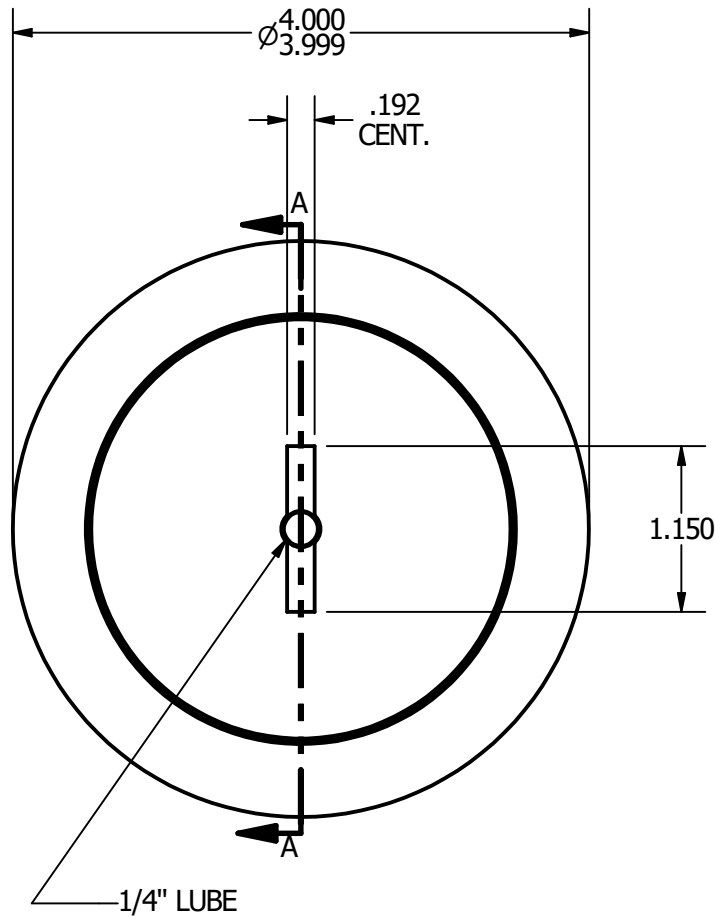
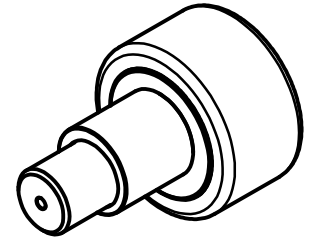


- NOTES:**
1. BEARING IS PACKED WITH GREASE
2. ALL EXPOSED SURFACES ARE BLACK OXIDED



RADIAL BASIC DYNAMIC RATING (POUNDS) 29,985

MAXIMUM STATIC CAPACITY (POUNDS) 44,770

MATERIAL NOTES:

- OUTER - BEARING STEEL, HEAT TREATED**
STUD - BEARING STEEL, ZONE HARDENED
ROLLER - BEARING STEEL, HEAT TREATED
WASHER - COLD ROLLED STEEL, HEAT TREATED
ECCENTRIC SLEEVE - COLD ROLLED STEEL

CUSTOMER PART#

.XX = ± .01
 .XXX = ± .005
 .XXXX = ± .0005
 ANGLES = ± 1'
 INCH [METRIC]

CARTER MANUFACTURING IS NOT RESPONSIBLE FOR TYPOGRAPHICAL ERRORS

CARTER MANUFACTURING CO., INC.

GRAND HAVEN, MICHIGAN 49417

REVISION

PART NAME: **Assembly**

SHEET 1 OF 2

CHANGE NOTE:

A

REV. BY

JAF

AUTHOR. BY

JGV

DATE

7/5/2006

DRAWN BY

JAF

DATE

7/5/2006

CHK'D BY

JGV

DATE

7/5/2006

SALES

KPR

DATE

3/19/2001

MATERIAL

NOTED

DRAWING NO.

CNBE-128