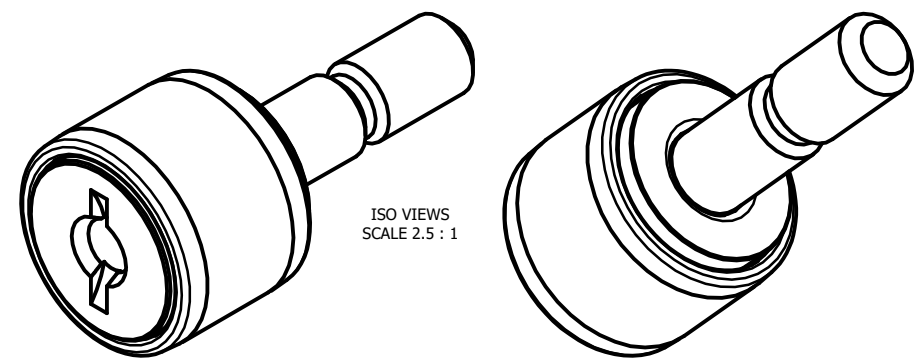


LOAD RATINGS	
RATING	Lbs
RADIAL BASIC DYNAMIC	680
MAXIMUM STATIC CAPACITY	790

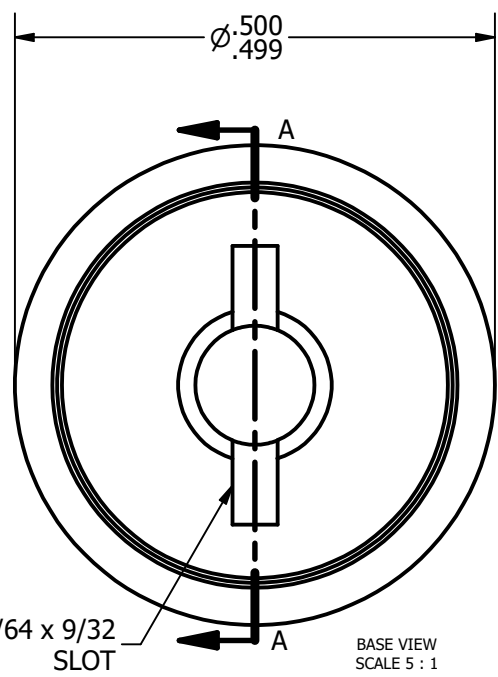
NSN NO. 3110001982231

DRAWING NO. CNB-16

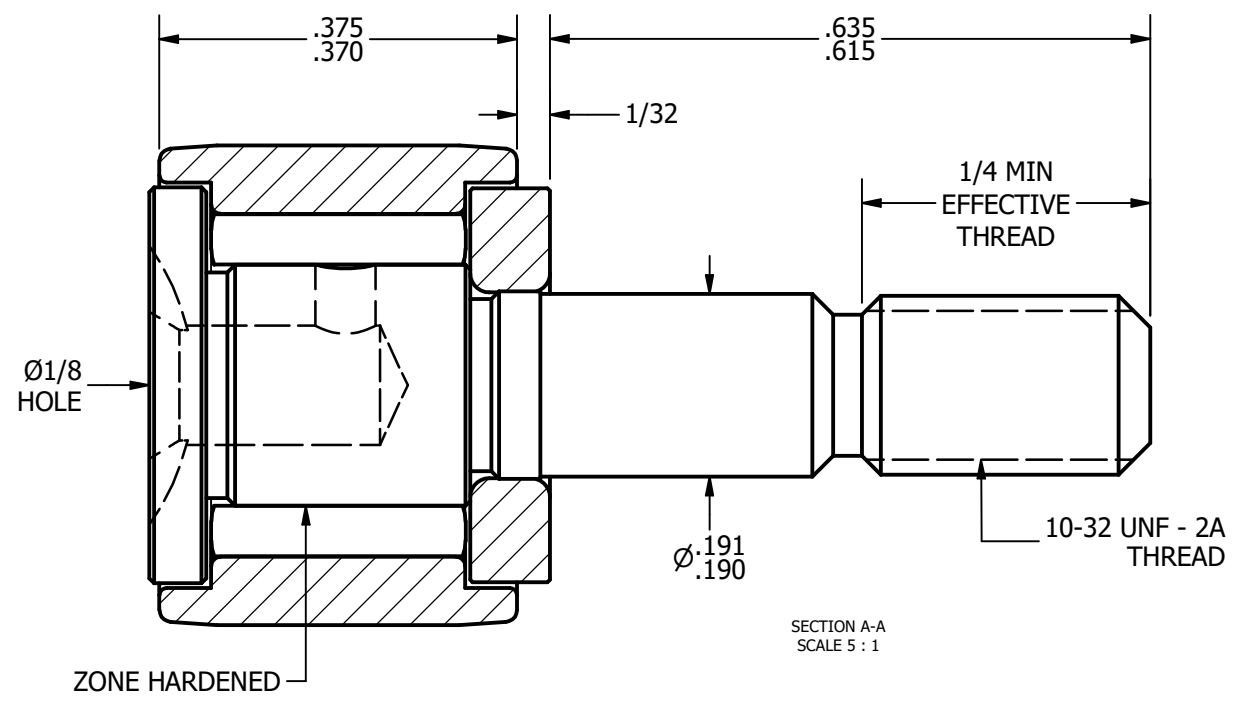
- NOTES:
 1. BEARING IS PACKED WITH LITHIUM BASED #2 WEIGHT GREASE
 2. ALL EXPOSED SURFACES HAVE BLACK OXIDE



ISO VIEWS
SCALE 2.5 : 1



BASE VIEW
SCALE 5 : 1



SECTION A-A
SCALE 5 : 1

MATERIAL NOTES:
 OUTER RACE - BEARING STEEL, HEAT TREATED
 STUD - BEARING STEEL, ZONE HARDENED
 NEEDLE ROLLER - BEARING STEEL, HEAT TREATED
 WASHER - COLD ROLLED STEEL, HEAT TREATED

CUSTOMER PART#	.XX = ± .01 .XXX = ± .005 .XXXX = ± .0005 ANGLES = ± 1' INCH [METRIC] FRACTION = ± 1/32
CHANGE NOTE:	

CARTER MANUFACTURING IS NOT RESPONSIBLE FOR TYPOGRAPHICAL ERRORS	
REVISION	
C	AUTHOR. BY
DB	GJP
REV. BY	DATE
SGW	1/28/2011

CARTER MANUFACTURING CO., INC.					
GRAND HAVEN, MICHIGAN 49417					
PART NAME: ASSEMBLY			SHEET 1 OF 2		
SALES	MATERIAL	CHK'D BY	DRAWN BY	AUTHOR. BY	DATE
KR	NOTED	MD	GJP	DB	1/28/2011
DATE	DRAWING NO.	DATE	DATE	DATE	DATE
1/28/2011	CNB-16	1/28/2011	2/24/2001	1/28/2011	1/28/2011