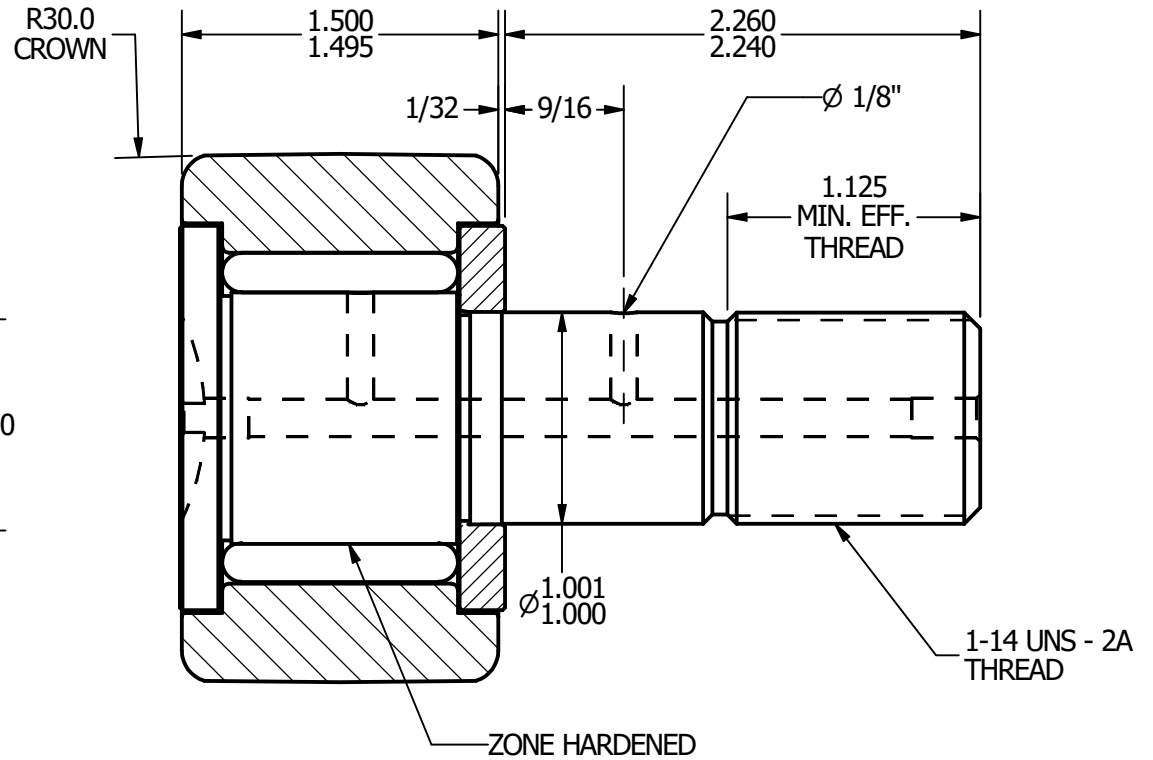
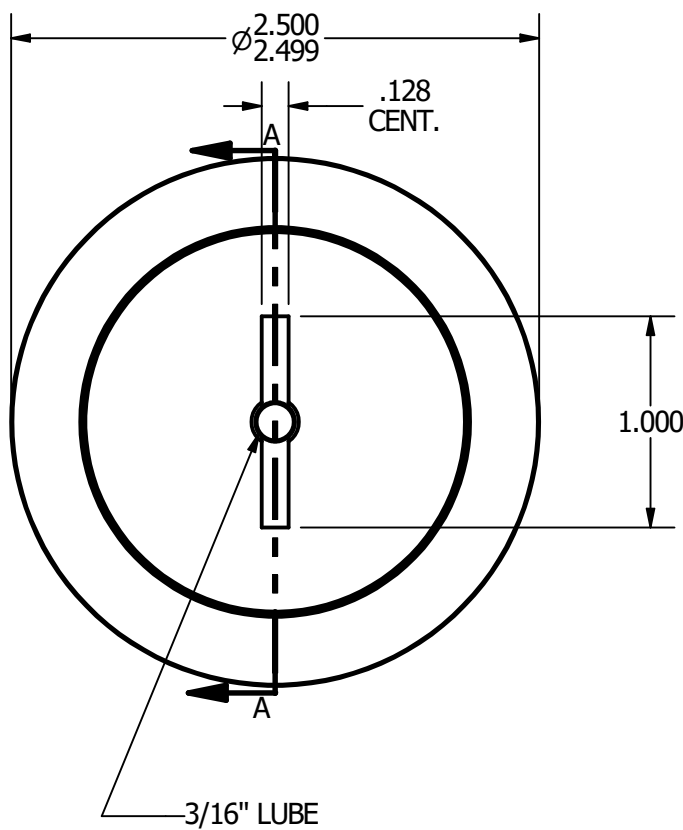
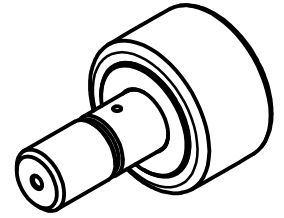


- NOTES:**  
 1. BEARING IS PACKED WITH GREASE  
 2. ALL EXPOSED SURFACES ARE BLACK OXIDED



**RADIAL BASIC DYNAMIC RATING (POUNDS) 11,720**

**MAXIMUM STATIC CAPACITY (POUNDS) 16,450**

**MATERIAL NOTES:**

- OUTER - BEARING STEEL, HEAT TREATED**
- STUD - BEARING STEEL, ZONE HARDENED**
- ROLLER - BEARING STEEL, HEAT TREATED**
- WASHER - COLD ROLLED STEEL, HEAT TREATED**

CUSTOMER PART#

.XX = ± .01  
 .XXX = ± .005  
 .XXXX = ± .0005  
 ANGLES = ± 1°  
 INCH [METRIC]

CARTER MANUFACTURING IS NOT RESPONSIBLE FOR TYPOGRAPHICAL ERRORS

**CARTER MANUFACTURING CO., INC.**

GRAND HAVEN, MICHIGAN 49417

REVISION

PART NAME: **Assembly**

SHEET 1 OF 2

**A**

REV. BY

JAF

AUTHOR. BY

JGV

DATE

7/11/2006

DRAWN BY

JAF

DATE

7/11/2006

CHK'D BY

JGV

DATE

7/11/2006

SALES

KPR

DATE

7/11/2006

MATERIAL

NOTED

DRAWING NO.

**CCNB-80**

CHANGE NOTE: